

M-12361

1

THREADED ACCESS HOLES

LOCATION	QUANTITY	SIZE
ENDS	2/END	1-1/2" NPT
SIDES	2/SIDE	3/4" NPT

LIST OF PARTS

DESCRIPTION	MATERIAL	FINISH
BOX BASE	CAST IRON	POWDER COAT
DIVIDERS	THERMOPLASTIC	
TOP MOUNTING ASSY	14 GA. STEEL	ZINC
TRANSITION ASSY	14 GA. STEEL	ZINC
GROUND WIRES	COPPER	
CLOSURE PLUGS	STAINLESS STEEL	
WIRING CHANNEL	16 GA. STEEL	ZINC
FASTENERS	STEEL	ZINC
TEMPORARY COVER	14 GA. STEEL	ZINC

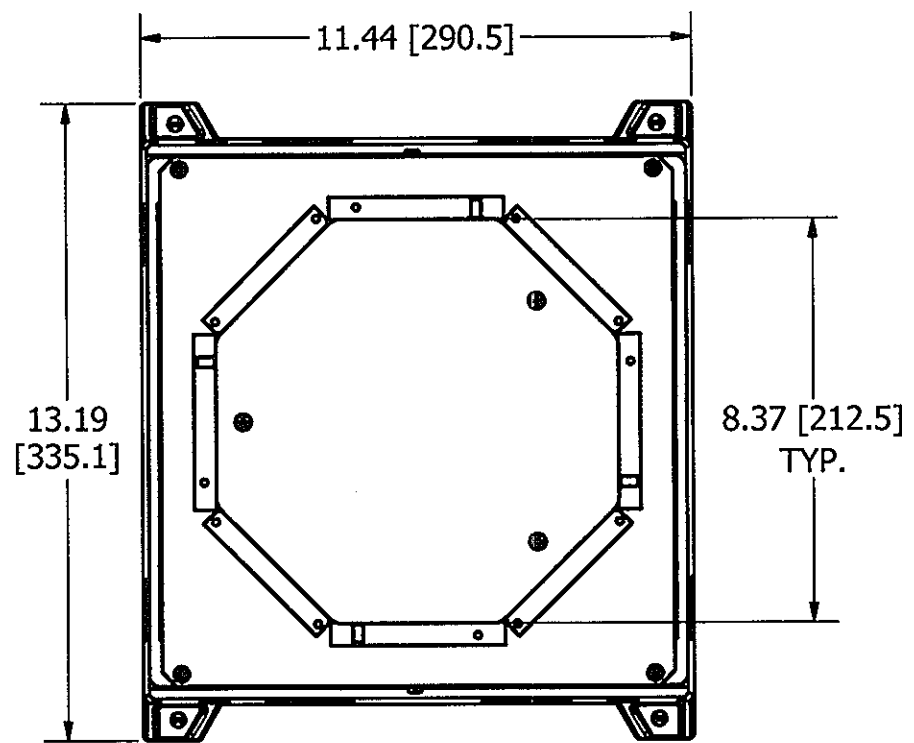
DIMENSION SHEET FOR CAT. NO. CFB4G30RCI

REPAIRABLE  NON-REPAIRABLE

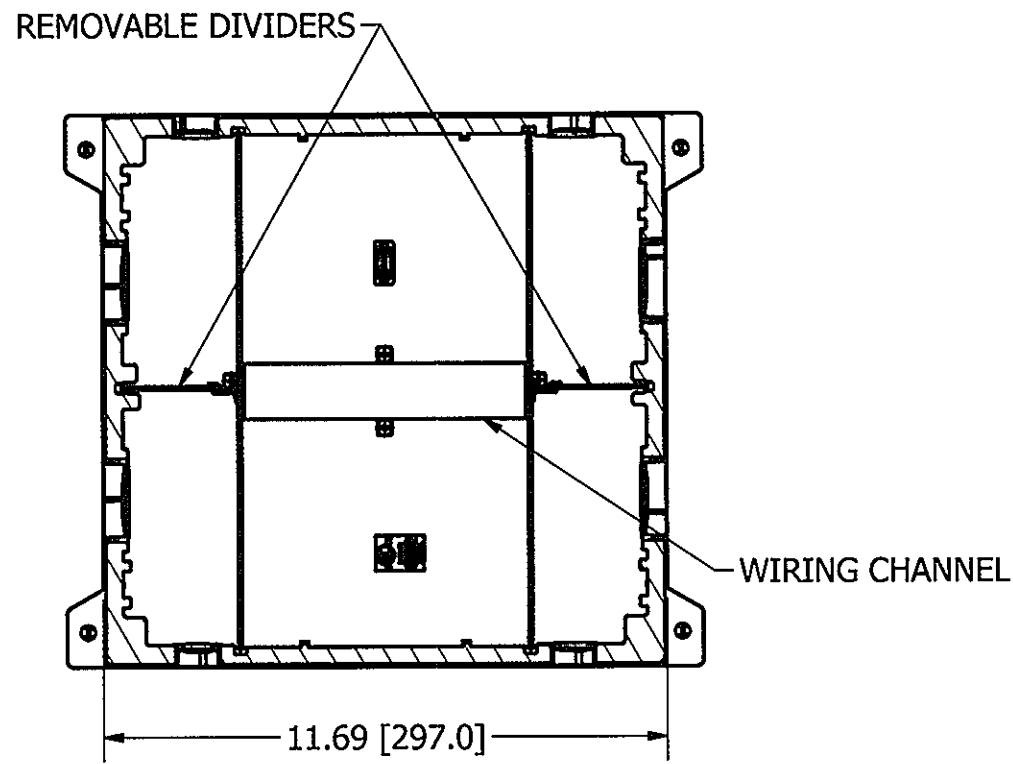
**B**

**M-12361**

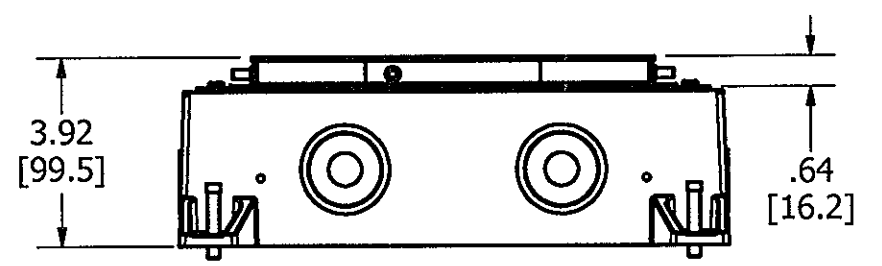
**1**



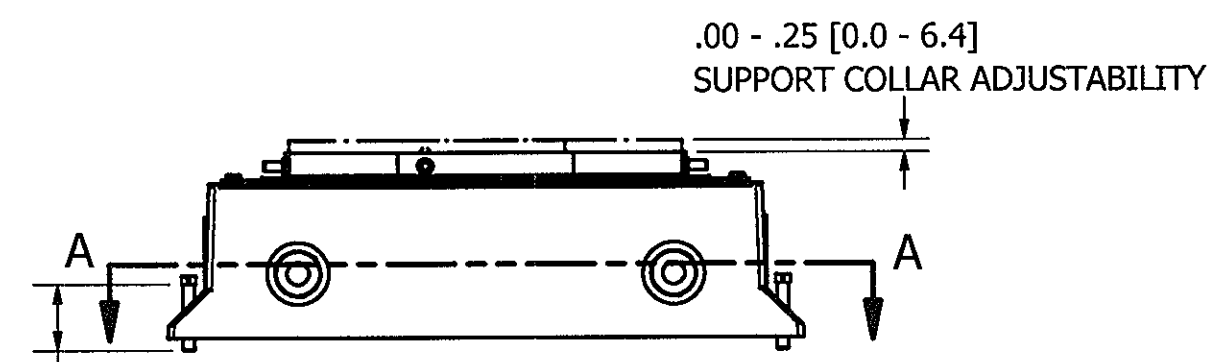
TOP VIEW



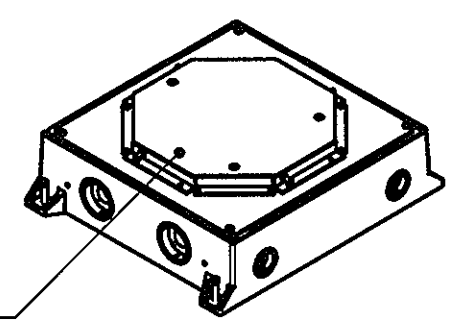
SECTION A-A  
VIEW THROUGH BOX BELOW TRANSITION



END VIEW



4X 1.38 [35.1] LEVELING SCREW  
TEMPORARY COVER NOT SHOWN



TEMPORARY COVER  
ISOMETRIC

- NOTES:
1. ALL DIMENSIONS ARE IN INCHES AND [MILLIMETERS].
  2. PRODUCT IS cULus LISTED. COMPLIES WITH UL 514A.
  3. EACH GANG SUPPLIED WITH 6" [152.4] 12 GA. AWG GROUND PIGTAIL.
  4. MINIMUM CONCRETE POUR: 4.00" [101.6].
  5. WIRING CHAMBER VOLUMES : (4) 30.0 IN<sup>3</sup> [491.7 CM<sup>3</sup>].
  6. WIRING CHANNEL AREA: (2) .40 IN<sup>2</sup> [261 MM<sup>2</sup>].

1	INITIAL RELEASE PER DCN19233	SBW	11/15/13
SYM	DESCRIPTION	APP	DATE

THE DESIGN AND DIMENSIONS OF THE PRODUCT SHOWN ON THIS DRAWING ARE SUBJECT TO CHANGE WITHOUT NOTICE

TITLE  
CONCRETE FLOOR BOX, 4 GANG FOR 8" ROUND COVER, CAST

TOLERANCES UNLESS OTHERWISE SPECIFIED		WIRING DEVICE-KELLEMS HUBBELL INCORPORATED SHELTON, CT.	
.XX = ± .01	.XXX = ± .005	DR. BY	APP. BY
ANGLES = ± 2°		TR. BY	SCALE 1/4
		CHK'D BY SM	DATE 9/19/2013